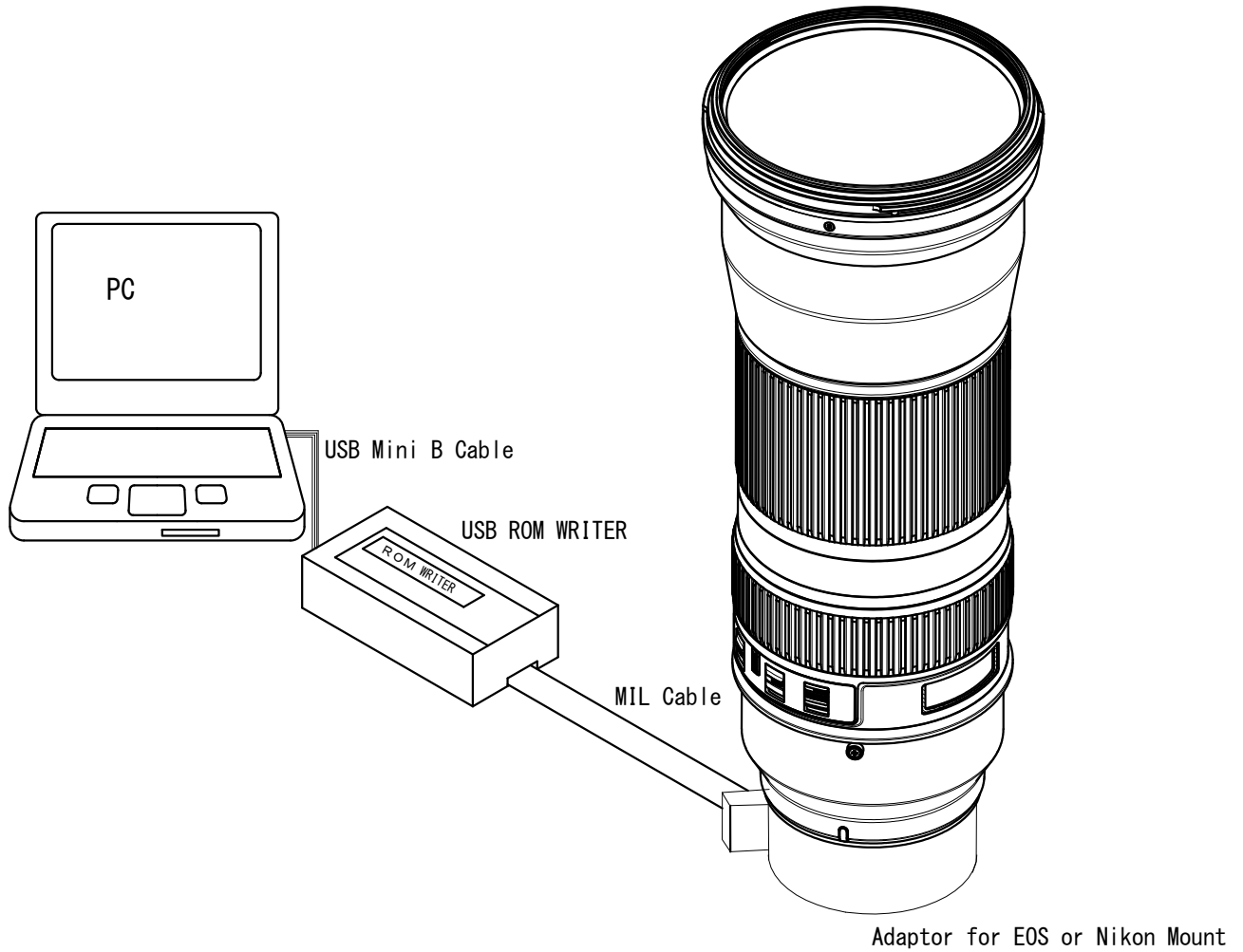


SOP	Model A 0 1 1	Procedure Writing ROM Data	Control No. R-25-01-00
-----	------------------	-------------------------------	---------------------------

Confidential



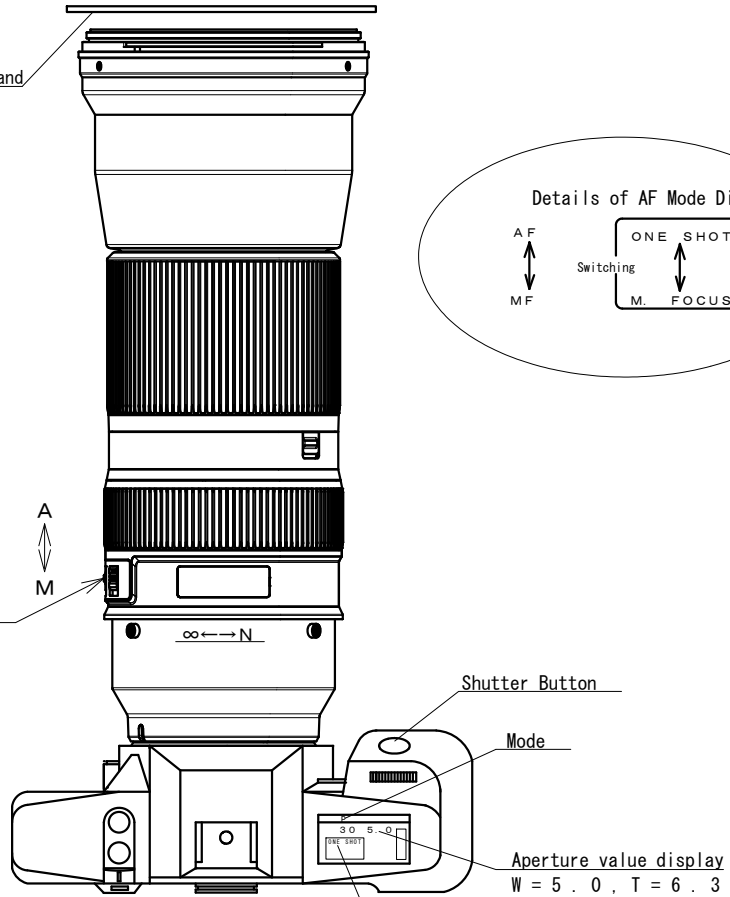
Procedure		Tool
<ol style="list-style-type: none"> 1. Set a lens to EOS or Nikon adaptor of USB ROM Writer 2. 2. Take a note of AF ROM data name and version currently installed. 3. Select the latest version of AF ROM data having the same location of the original data such as Cent, N, S, E and W 4. Write the data following the instructions of the software. 		<ul style="list-style-type: none"> • USB ROM WRITER 2 • Adaptor For EOS Mount • Adaptor For Nikon Mount • USB Mini B Cable • PC • ROM Writer Software
Remarks and Specification		Sub Material
<p>① Take care not to subject the lens to any vibrations during the write-in.</p>		

SOP	Model A 0 1 1	Procedure Inspection with camera	Control No. R-29-01-00
-----	------------------	-------------------------------------	---------------------------

Confidential

Cover the front by hand

A
↕
M
AF/MF Switch



Details of AF Mode Display

Procedure	Tool
-----------	------

1. Switch the Camera Body on.
2. Set the red dot on the lens to the red dot on the Camera Body, and attach the lens by rotating until it clicks. (Lens Switch: AF)
3. Set "P mode" on the Camera Body.
4. Check if display, "AF mode", changes as the above drawing by operating AF/MF switch of the lens.
5. While covering the front of the lens with your hand, half-press the shutter button. Check if focus ring searches whole range from "Near" to "Infinity." (Repeat this 2 times at Tele and Wide). Also, when switch the limit SW, then check focus ring searches range of Infinity to 15m, to Infinity. (Repeat this procedure 2 times.)
6. Check if the shutter releases with the subject being in focus at both Tele and Wide.
7. Setting Zoom to Wide and covering the front surface of the lens with your hand, aperture display should show 5.0 when half-pressing the shutter button.
8. Setting Zoom to Tele and covering the front surface of the lens with your hand, aperture display should show 6.3 when half-pressing the shutter button.
9. Turn the VC switch off and then so do the Camera switch.
* Turn the camera switch on, and make sure that VC lock frame operation does not produce any noises. (Repeat 4 times.)

• Camera Body
EOS & Nikon

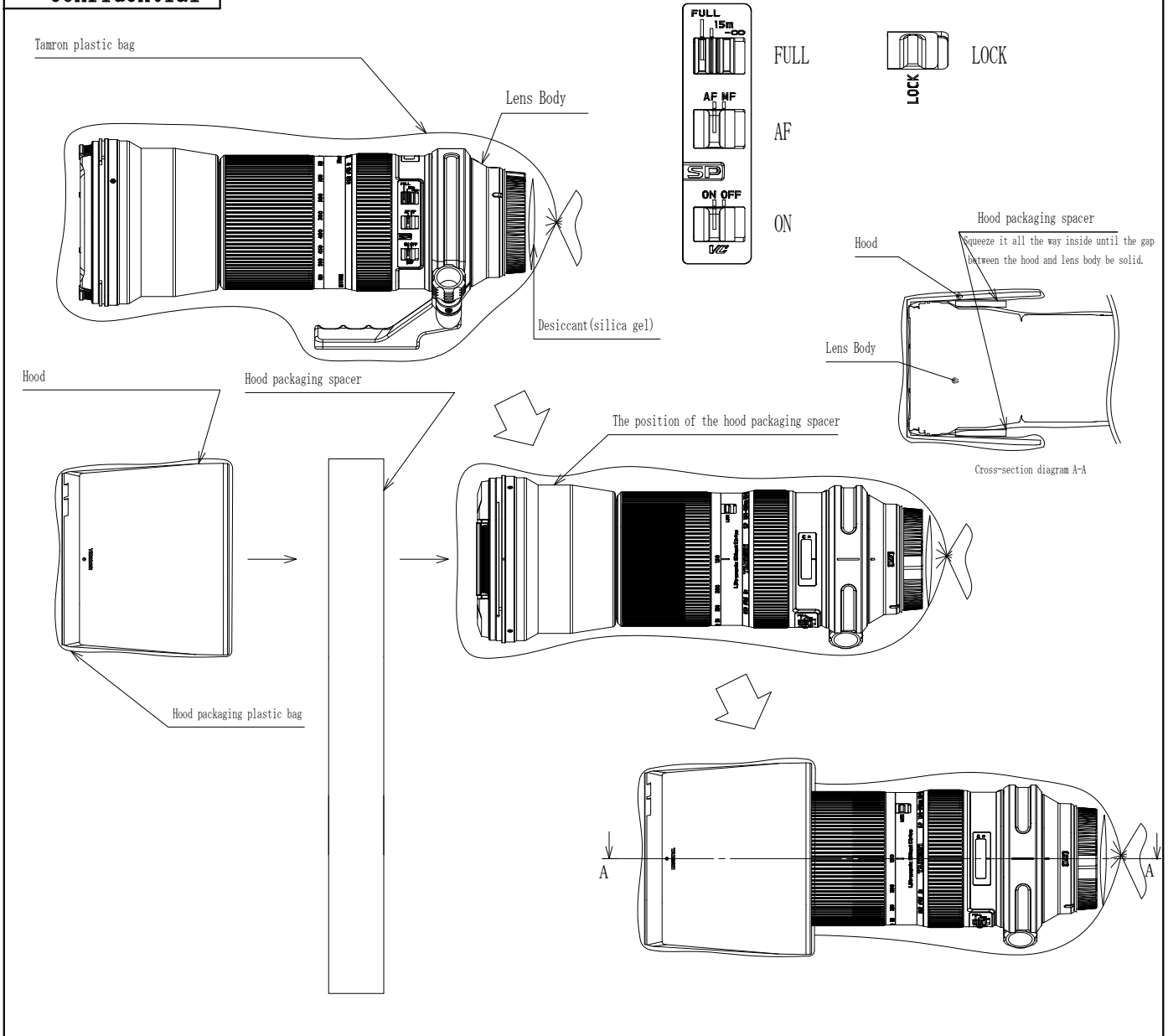
Remarks and Specification

- ① The lens should be locked properly on the Camera.
- ② Keep holding the shutter button until the Focus Ring stops.
- ③ Locations of buttons and display may vary depending on camera model.
Please refer to the manual of your camera.
- ④ The Rear Masking Barrel must be installed on the lens body when attached to the camera.

Sub Material

SOP	Model A 0 1 1	Procedure Lens hood packaging	Control No. RKP-01-01-00
-----	------------------	----------------------------------	-----------------------------

Confidential

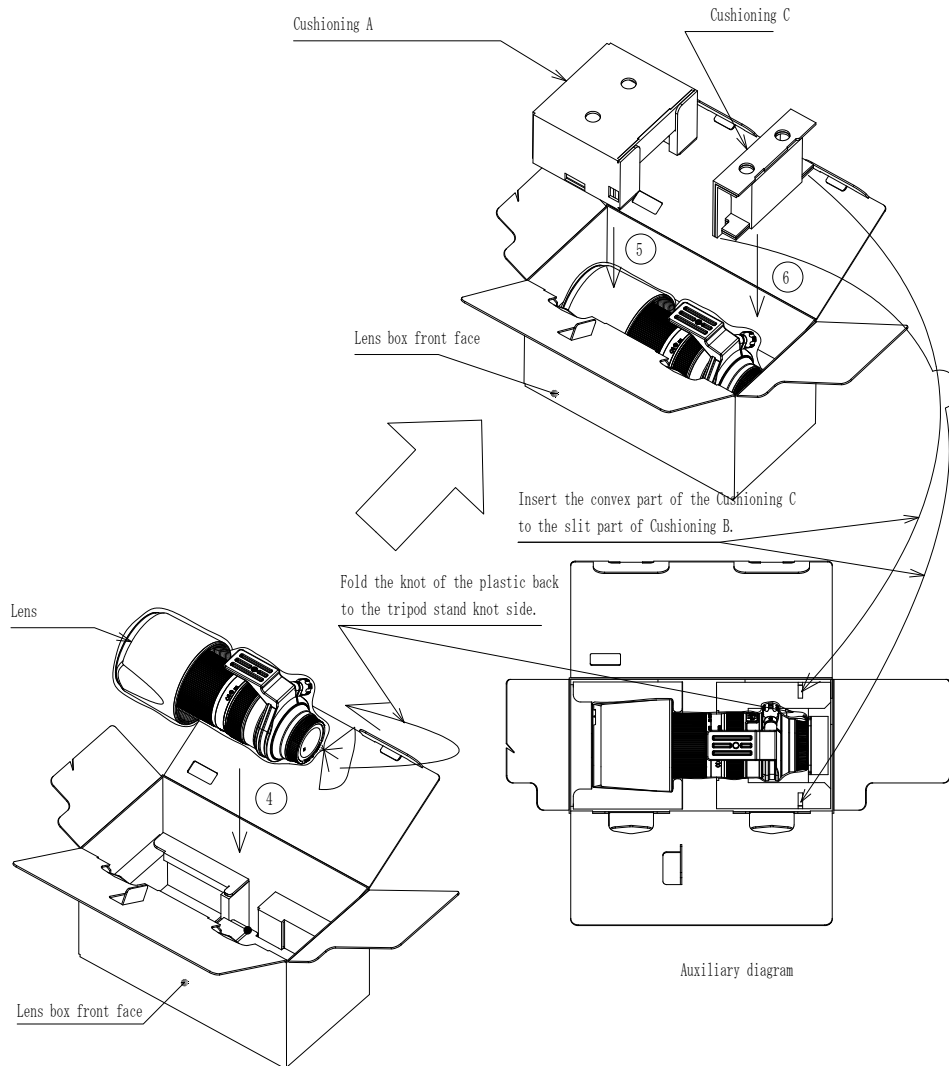


Procedure	Tool
<ol style="list-style-type: none"> 1. Make sure following switches are set as, FL switch at Full, AF switch at AF, VC switch at ON, Zoom lock switch at ON and Focus ring at INF position (Mechanical end). 2. Put the lens into the Tamron plastic bag from the front cap direction. 3. After put a desiccant (silica gel) in the lens plastic bag, twist the end of the bag. 4. Put the hood packed with the plastic bag to the front cap direction by keeping the hood packaging spacer on the lens body. 	

Remarks and Specification	Sub Material
<ul style="list-style-type: none"> • Make sure there's no dusts inside the lens. • Make sure the desiccant (silica gel) is put in the lens packaging bag. • Make sure the lens indication mark comes to the direction of Tamron logo. • Put the hood with keeping the hood packaging spacer twisted on the center of 1G sliding frame A. • To fill the gap between the hood and lens body, make sure the hood packaging spacer is set all the way inside the gap. 	

SOP	Model A 0 1 1	Procedure Lens box packaging 1	Control No. RKP-02-01-00
-----	------------------	-----------------------------------	-----------------------------

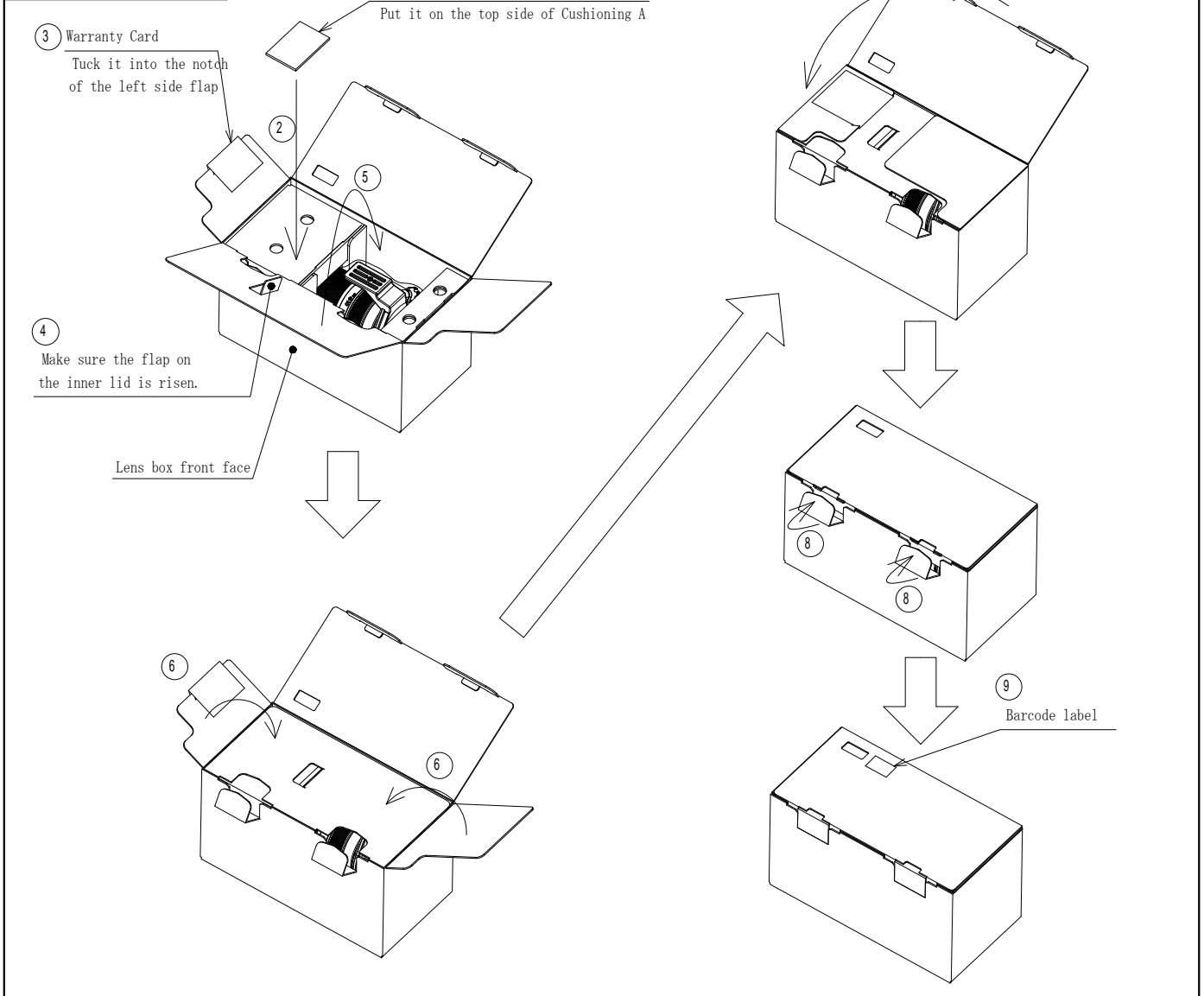
Confidential



Procedure		Tool
<ol style="list-style-type: none"> Put the lens at the position where the front cap side comes to the left side (Cushioning A side), and the bottom side (Tripod stay side) comes to the upside as viewed from the lens box front face. When put the lens in the box, fold the knot of the plastic bag to the tripod stand knob side. Put Cushioning A at the left side, and Cushioning C at the right side as viewed from the end box front face. (Fig. 5 & 6). Also, set the Cushioning A & C as the concave side of the two cushioning comes to the ground. 		
Remarks and Specification		Sub Material
<ul style="list-style-type: none"> Make sure there's no dusts inside the lens. Insert the convex part of the Cushioning C to the slit part of Cushioning B. 		

SOP	Model A 0 1 1	Procedure Lens box packaging 2	Control No. RKP-03-01-00
-----	-------------------------	-----------------------------------	-----------------------------

Confidential



Procedure	Tool
<ol style="list-style-type: none"> Put the instruction manual at the left side in the box (on the top side of Cushioning A) as viewed from the box front face. See fig.2 Double up the warranty card and tuck it into the notch of the flap part at the left side of the box as viewed from the box front face. Close the lid of the lens box with keeping the flap on the innerlid arise. (Fig.4 & 5) Fold the right and left flaps of the box. (Fig.6) Close the lid of the lens box. (Fig.7) Tuck the two locking flaps. (Fig.8) 	
Remarks and Specification	Sub Material
<ul style="list-style-type: none"> Make sure there's no dusts inside the lens. Set the warranty card so that the serial No. can show front the window on the box. Close the inner lid to get the flap align to the wall of cushioning A. Identify the serial No. printed on the warranty card with the one on the barcode label. 	